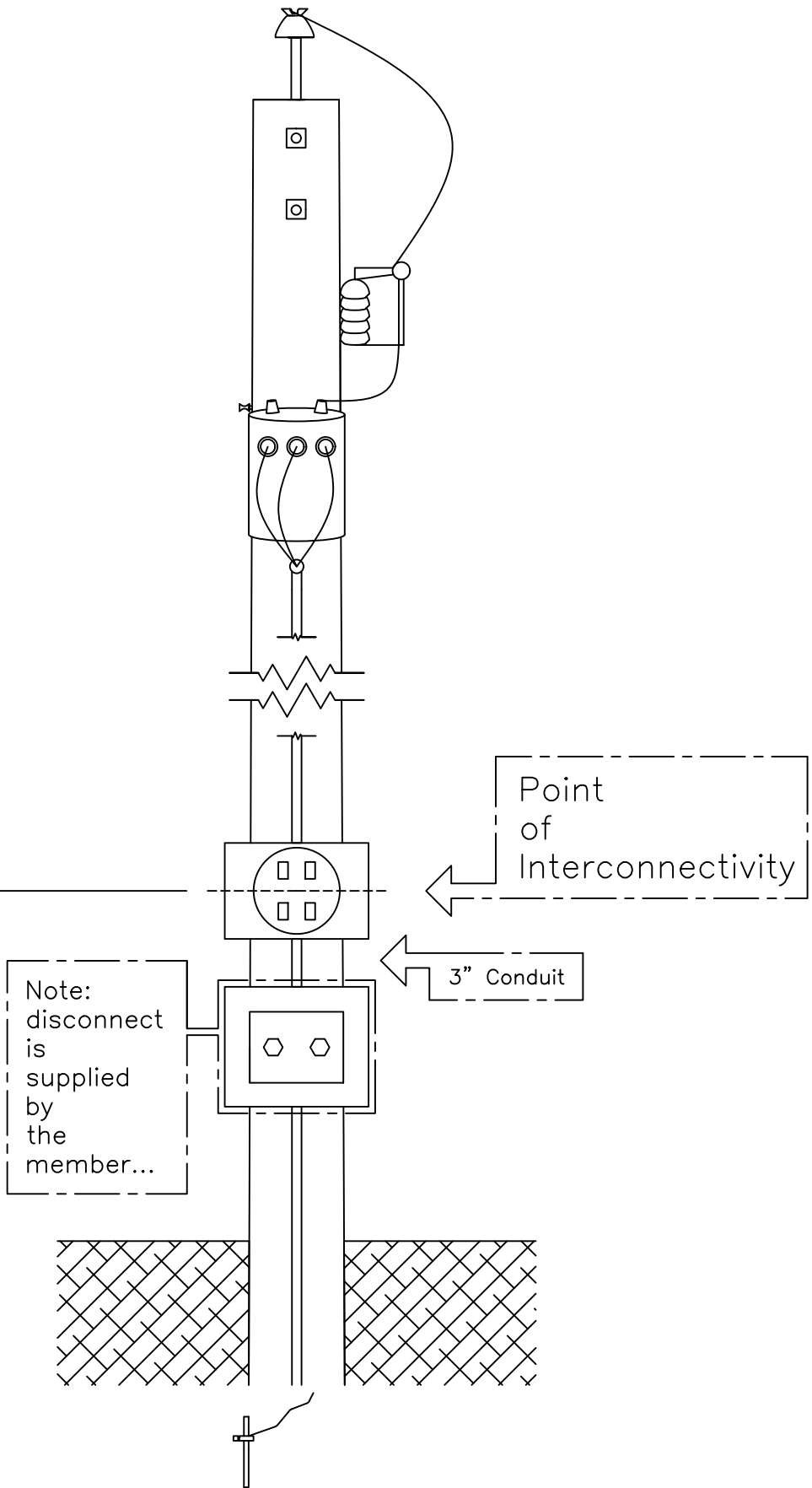


IEC Owned  
& Maintained

Member Owned  
& Maintained



Point of Interconnectivity

3" Conduit

Note: disconnect is supplied by the member...

200 Amp & Below Single Phase Service;  
Member Installed Disconnect